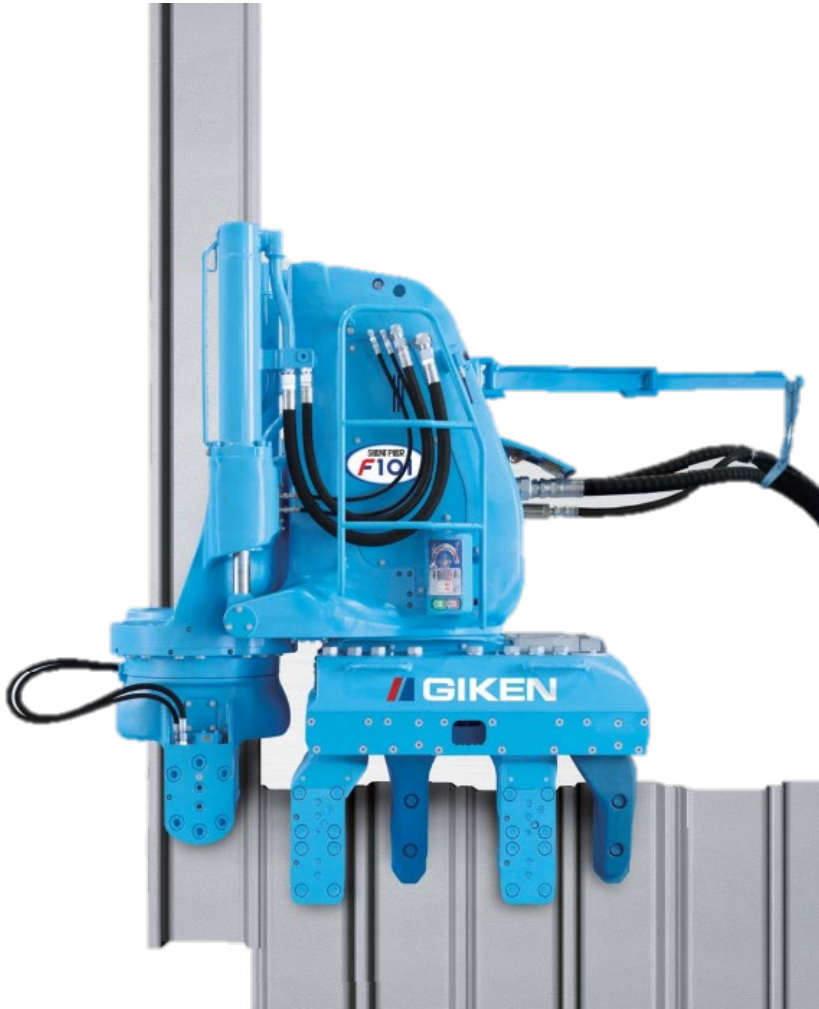




 **GIKEN**

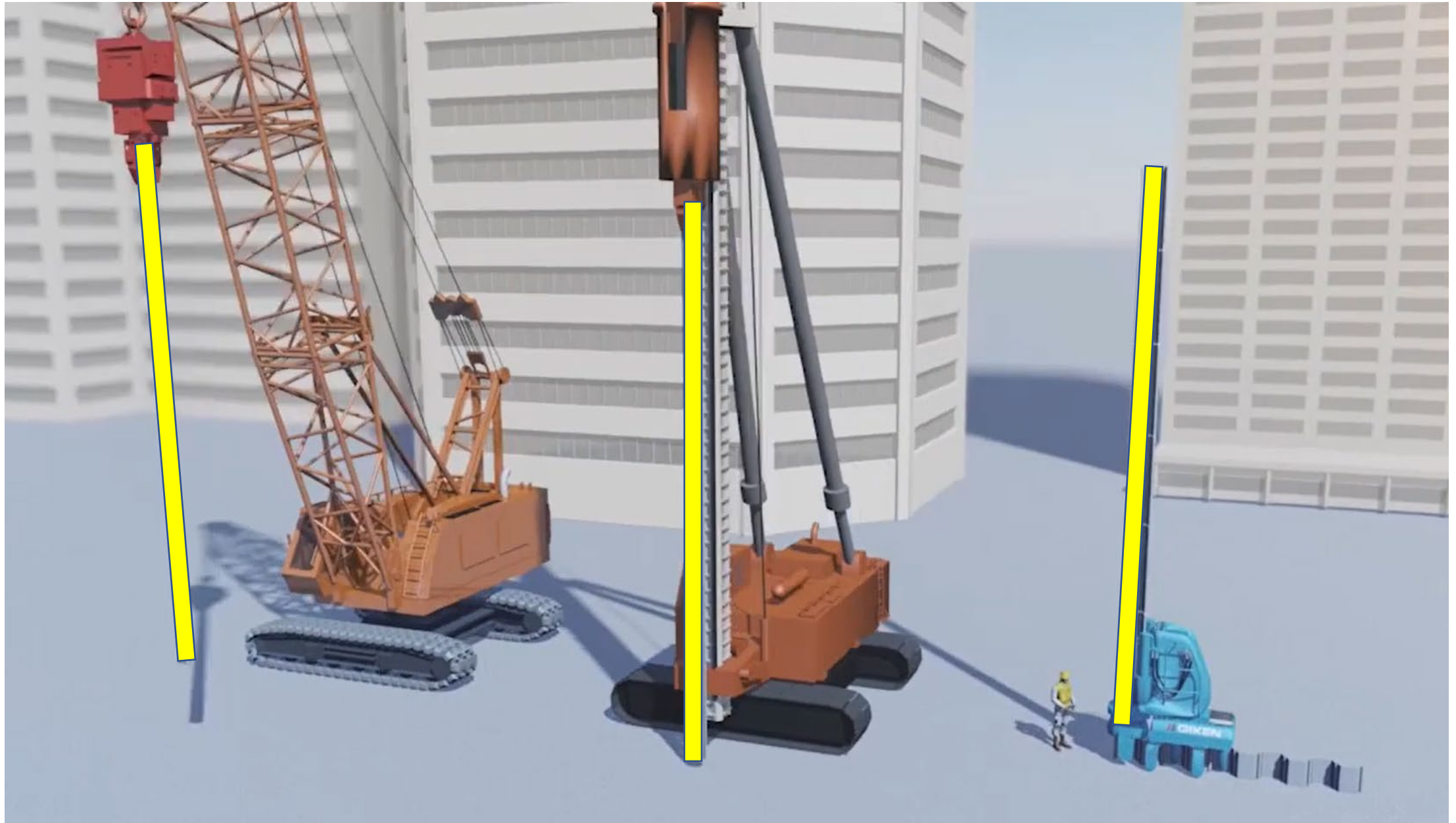
SILENT PILER™



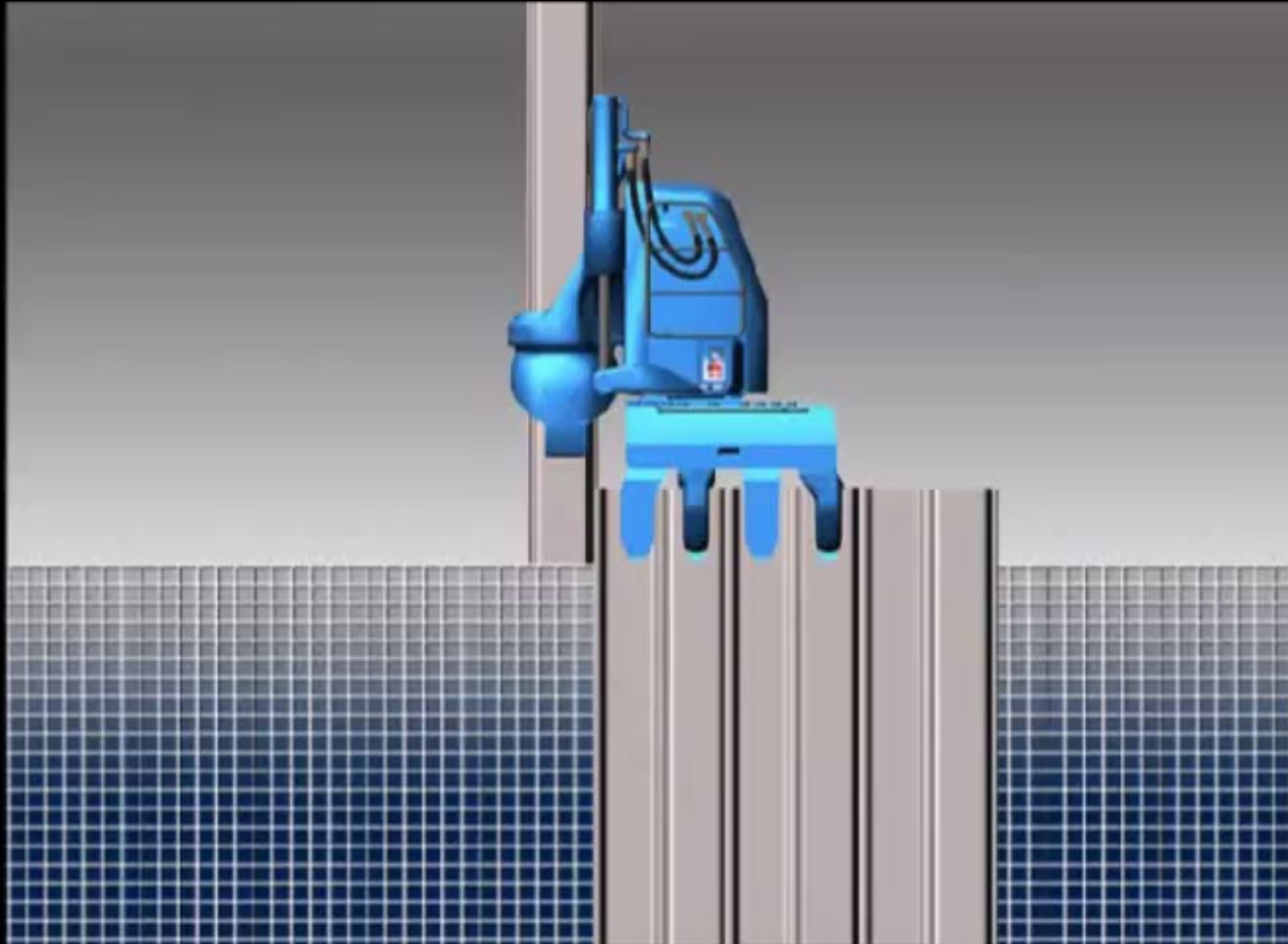
Press-in Technology (Eco-friendly Piling Works)

Disaster Mitigation & Disaster Recovery Technology

Compactness



Press-in mechanism



No Noise and Vibration



GRB (Giken Reaction Base) System



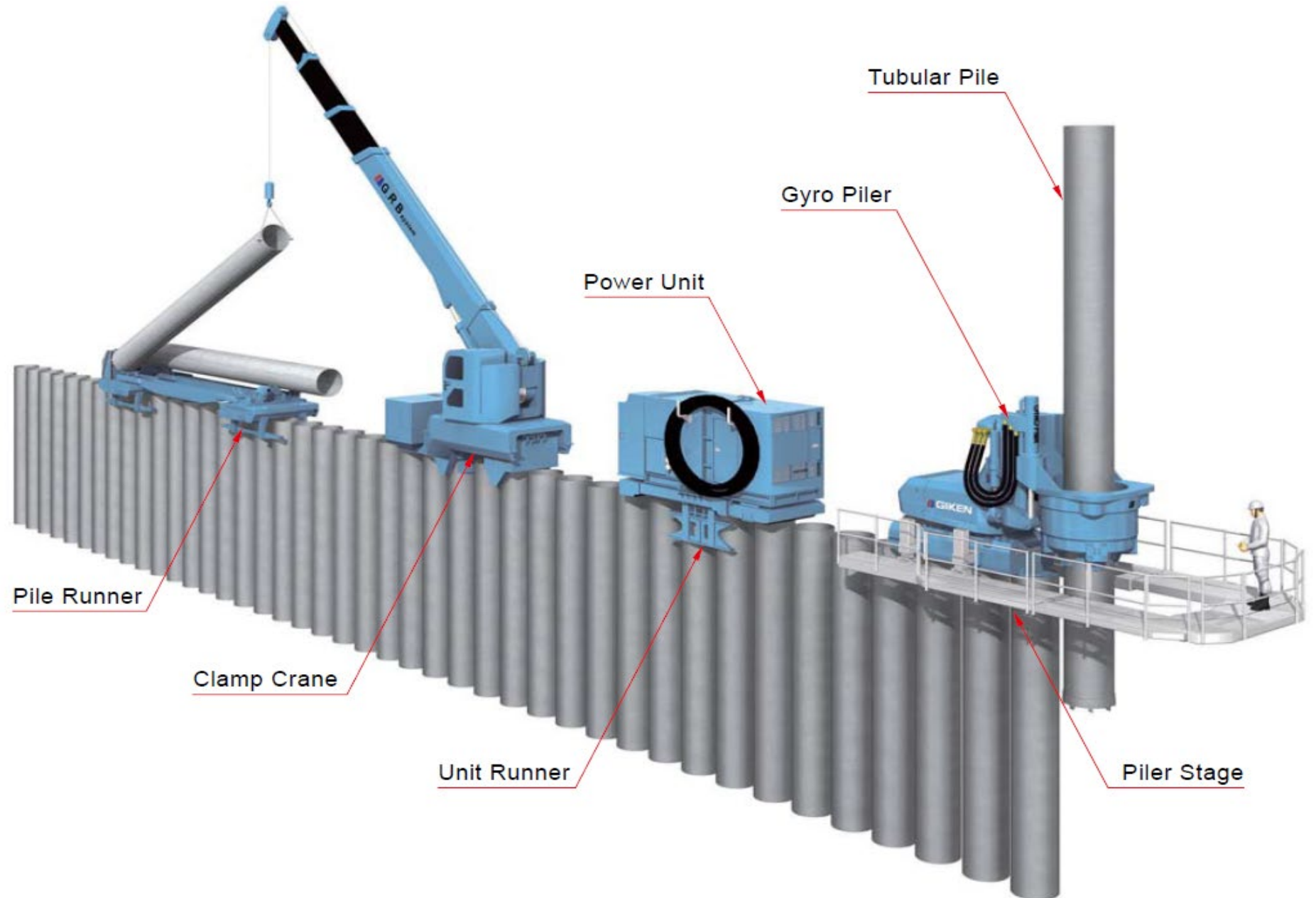
Safer & Easier



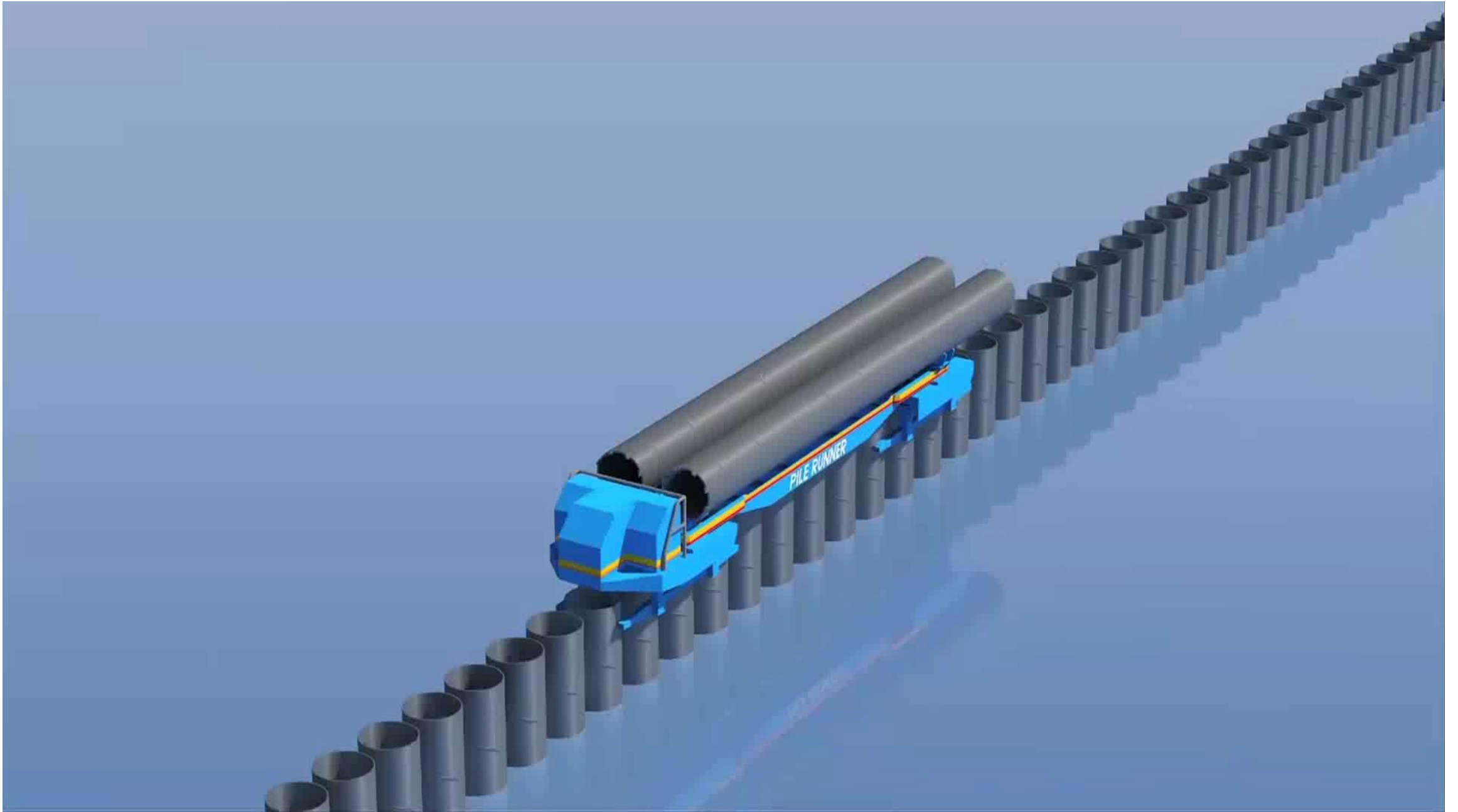
No Piling Platforms



Increased Project Productivity



GRB (Giken Reaction Base) System



GRB (Giken Reaction Base) System





The construction of the disaster restoration





 **GIKEN** GIKEN LTD.

Construction Revolution



日本語



ENGLISH & FRENCH

Contact: project@giken.com



 **GIKEN**